

DATA SHEET

SKIN POINT TEMPERATURE PROBES

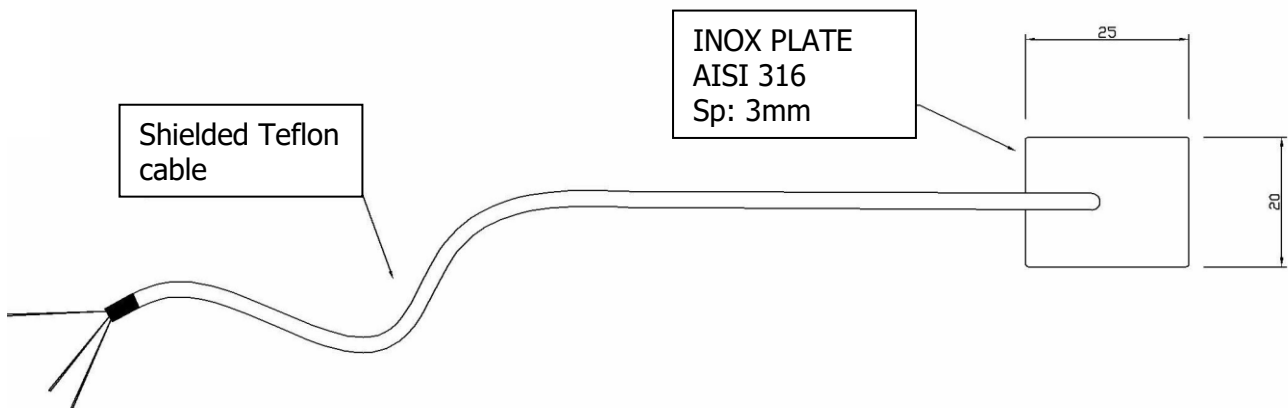


Table of contents

TECHNICAL FEATURES 3

The manufacturer guarantees only English text available on our web site www.isoil.com

SKIN POINT TEMPERATURE PROBE



TECHNICAL FEATURES

Thermistor Pt100 single element (PT500 on request)
Execution 2 -3- 4 wires on request
Range -50÷+250°C
Precision class ½ DIN IEC751 (Class A)
Isolation >Mohm @ 500Vac
Dielectric Rigidity >2000 Vac
Shielded Teflon cable
Cable's length to be defined

ISOIL INDUSTRIA S.p.A.

HEAD OFFICE	SERVICE
Via Fratelli Gracchi, 27 20092 Cinisello Balsamo (MI) Tel +39 02 66027.1 Fax 039 026123202 sales@isoil.it	isomagservice@isoil.it

If you want to find the complete list of our distributors access at the following link:
http://isoil.com/u_vendita.asp

BEFORE returning any material, please
contact our **SERVICE** at the e-mail address:
isomagservice@isoil.com



Due to the constant technical development of its products, the manufacturer reserves the right to make changes and/or modify the information contained in this document without notice