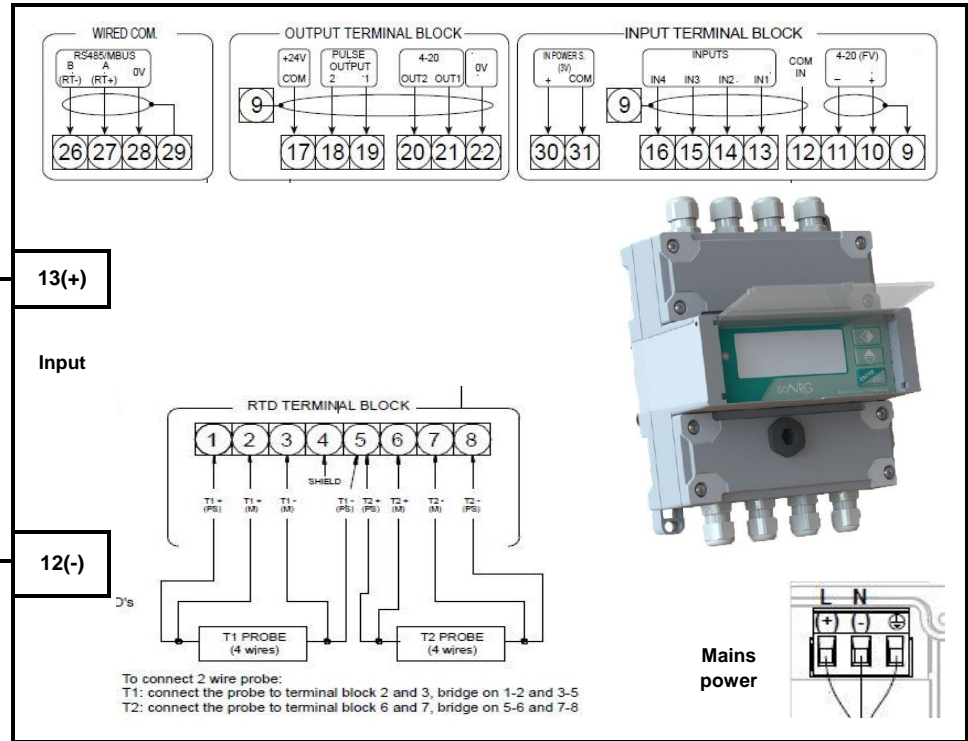
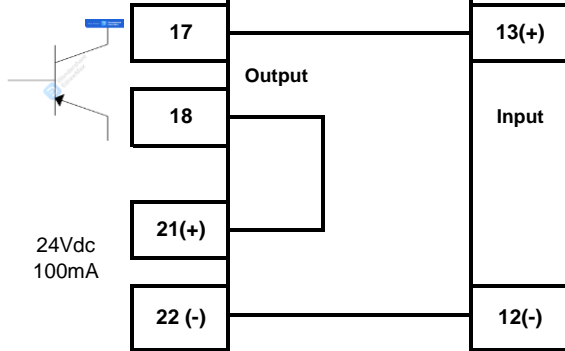


**MV110**



**MV311 energy calculator**

- T1 chilled water supply
- T2 chilled water return

Connection diagram MV311 to MV110



ISOIL INDUSTRIA HONG KONG LIMITED

Date: 26/11/2021