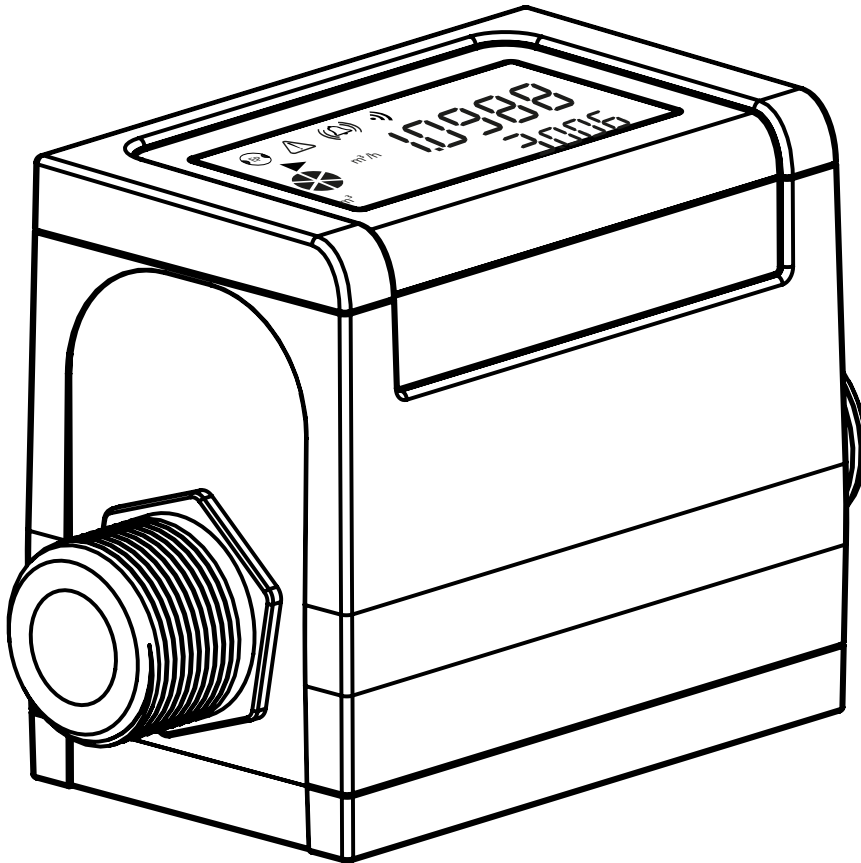


ISOMAG 

The friendly magmeter

**OPERATING AND MAINTENANCE
MANUAL**



CS8100

NOTICE: The complete user manual is available at the following address:

XXXXXXXXXXXXXXXXXXXX

CE



ISOIL 
I N D U S T R I A



Release number: **8100_QUICK_EN_IT_IS_R0_1.0X** -

The characters of file name in bold type indicate the software version which the manual refers to; it is visualized at the instrument start up, or by specific function on DIAGNOSTIC menu.

SAFETY CONVENTION

 DANGER ELECTRIC SHOCK	 WARNING	 PRECAUTIONS	 ATTENTION
---	---	--	---

ELECTRIC CHARACTERISTICS



Converter classification: class I, IP67/IP68 for noryl housing, installation category (overvoltage) II, rated pollution degree 2.

Power supply versions	Power supply voltage	Power
LV	18-30V $\overline{=}$	1W

- Voltage variations must not exceed $\pm 10\%$ of the nominal one.
- Input/output insulated up to 500V.
- The output 4-20mA (optional) is electrically connected to the ON/OFF outputs and the output power supply (24V $\overline{=}$).

ENVIRONMENTAL USE CONDITIONS



- The converter can be installed internally or externally
- Altitude: from -200m to 2000m (from -656 to 6560 feet)
- Humidity range: 100%

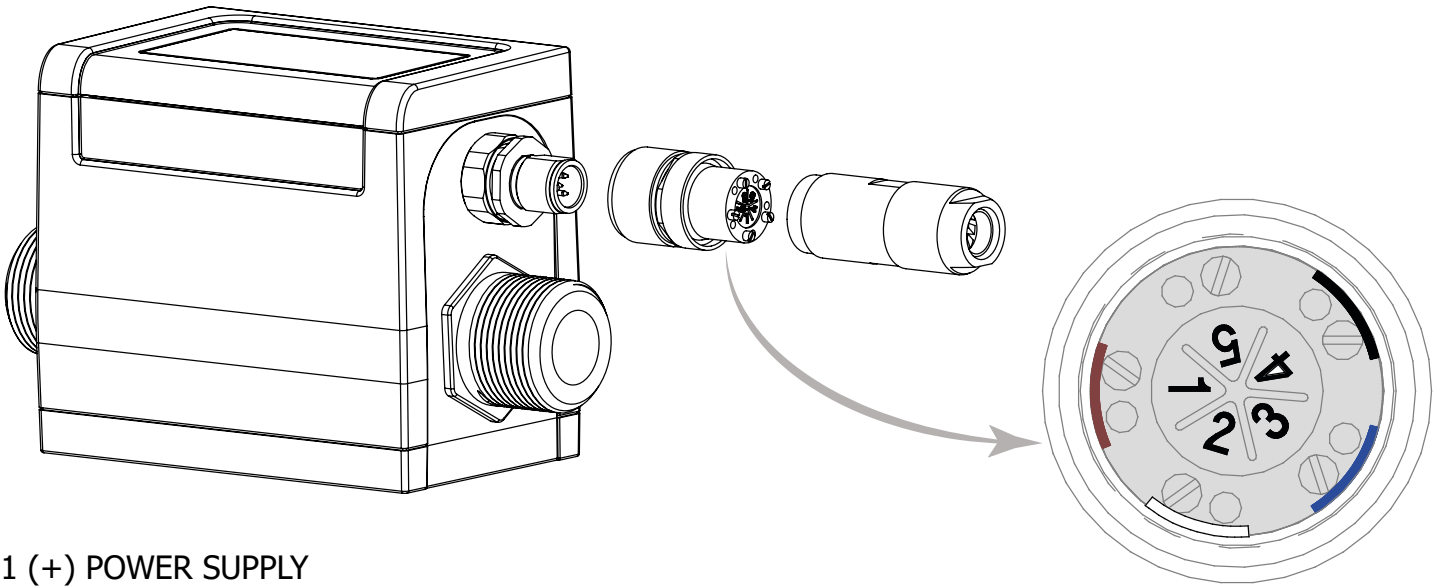
AMBIENT TEMPERATURE		
	Min*	Max
°C	-10	50
°F	14	122

LIQUID TEMPERATURE		
	Min*	Max
°C	-20	85
°F	-4	185

* For discontinuous use, a thermostat heat source installation may be necessary

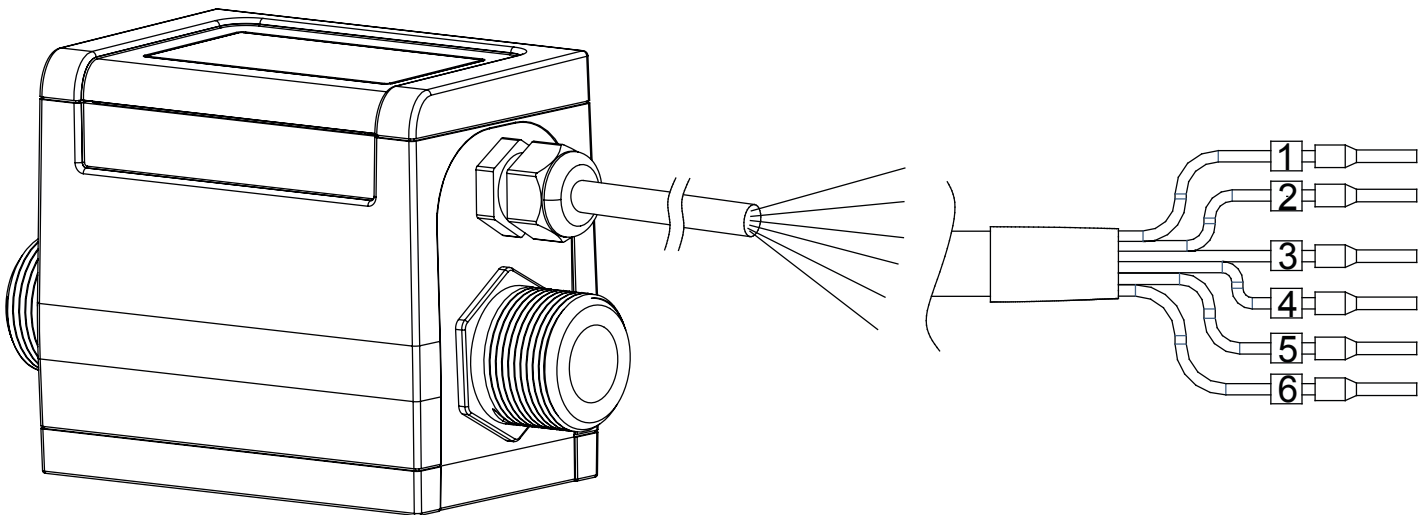
ELECTRICAL CONNECTIONS

INPUT/OUTPUT WITH CONNETCTOR



- 1 (+) POWER SUPPLY
 - 2 (+) OUTPUT 1 / INPUT
 - 3 (+) OUTPUT 2 (OPTIONAL)
 - 4 (+) 4-20mA OUTPUT
 - 5 (-) POWER SUPPLY / OUTPUTS / INPUT
- ⊕ PIN 5 TO BE CONNECT TO THE GROUND**

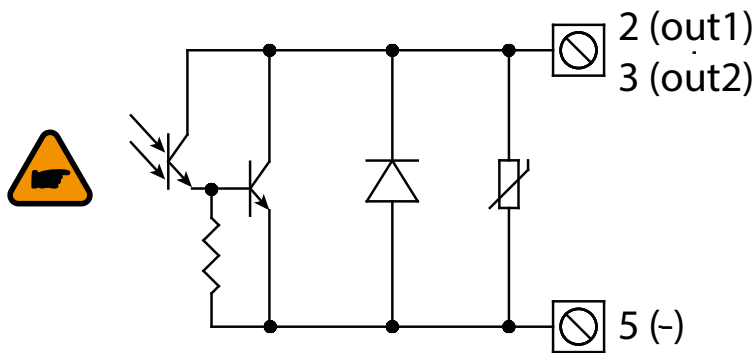
INPUT/OUTPUT WITH CABLE



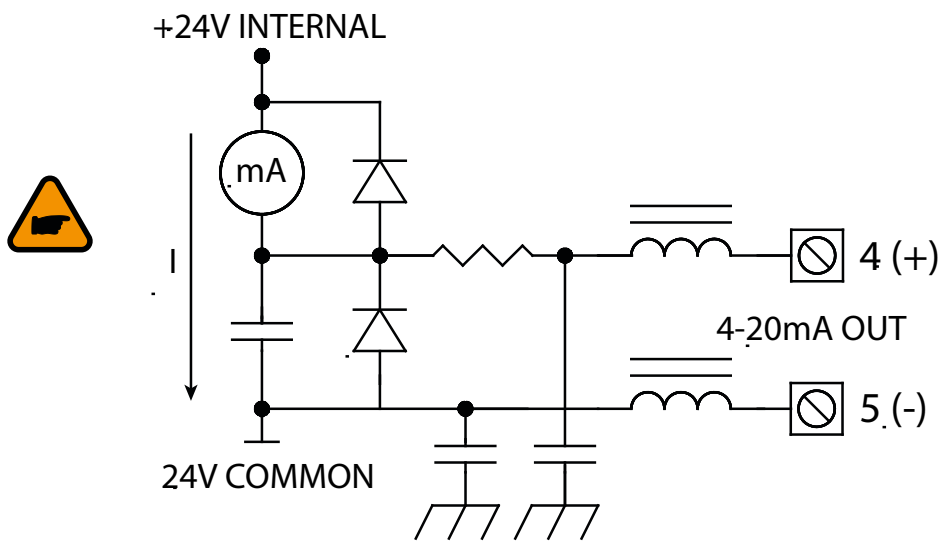
- 1 (+) POWER SUPPLY
 - 2 (+) OUTPUT 1 / INPUT
 - 3 (+) OUTPUT 2 (OPTIONAL)
 - 4 (+) 4-20mA OUTPUT
 - 5 (-) POWER SUPPLY / OUTPUTS / INPUT
 - 6 (SH) SHIELD
- ⊕ PIN 5-6 TO BE CONNECT TO THE GROUND**

The manufacturer guarantees only English text available on our web site: www.isoil.com

OUTPUTS WIRING



DIGITAL OUTPUTS



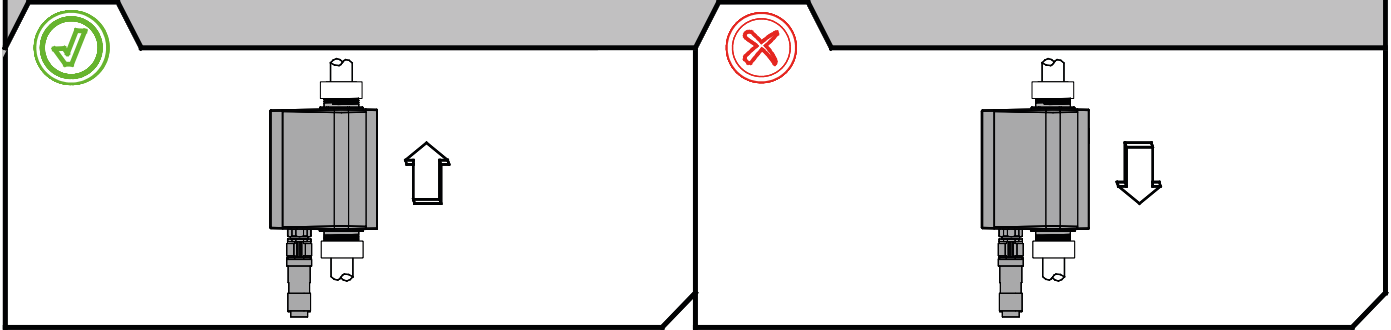
ANALOG OUTPUT

NOTE: shielded cables are recommended for input and output wiring

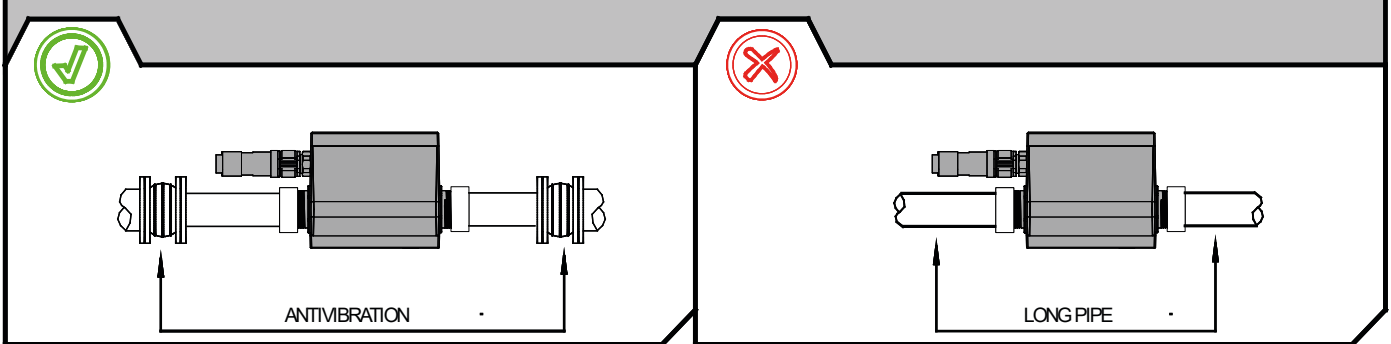
The manufacturer guarantees only English text available on our web site www.isoil.com

SHREWDNESS AND PRECAUTIONS

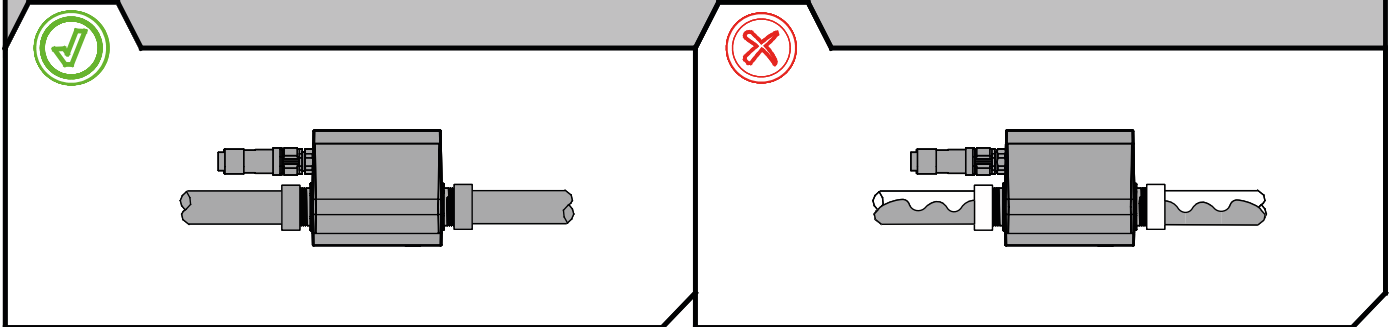
In vertical installations an ascending flow is preferable. For vertical installations with descending flow direction contact the manufacturer



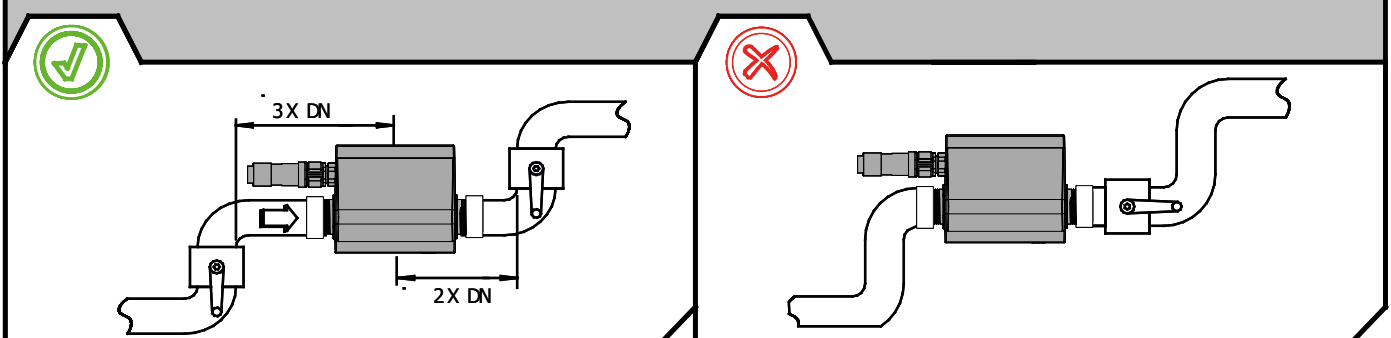
For installations in long pipe lines, please use anti vibration joints



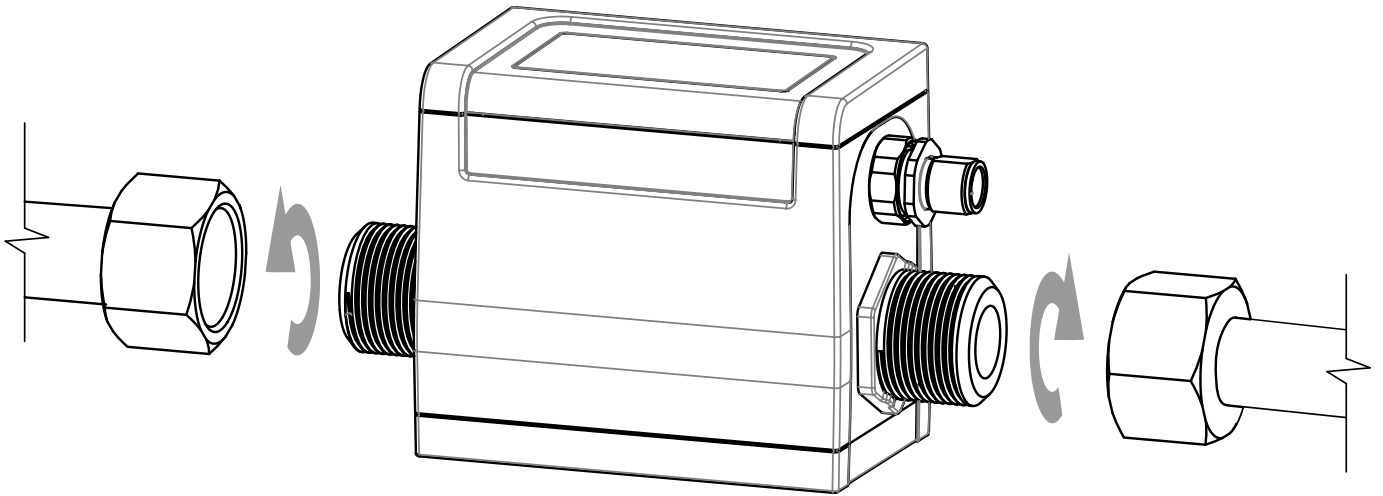
Avoid a partially empty pipe, during operation the pipe must be either completely full of liquid or completely empty



Install the sensor away from bends and hydraulic accessories



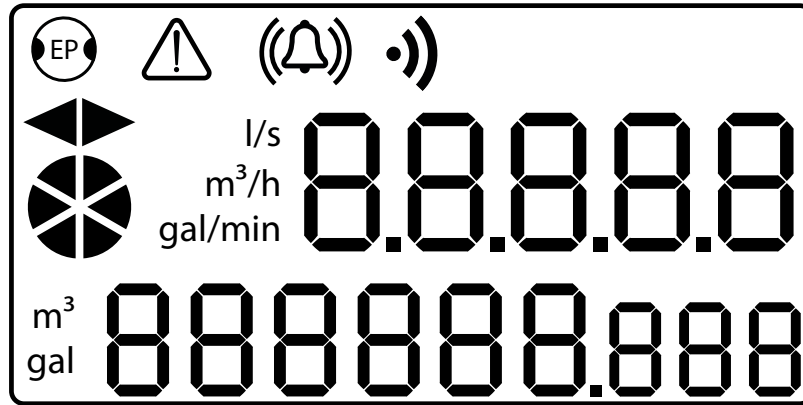
The manufacturer guarantees only English text available on our web site www.isoil.com

TIGHTENING TORQUE

- ❑ Tightening torque: **20Nm**
- ❑ Do not approach the fittings pipe by SCREWING



The direct exposure of the converter to the solar rays, could damage the liquid crystal display. The visualization pages can be change according to instrument's setup.



EMPTY PIPE WARNING



ALARM WARNING



PROCESS ALLARM



DATA TRASMISSION



FLOW DIRECTION



ACTIVE FLOW RATE

l/s
m³/h
gal/min

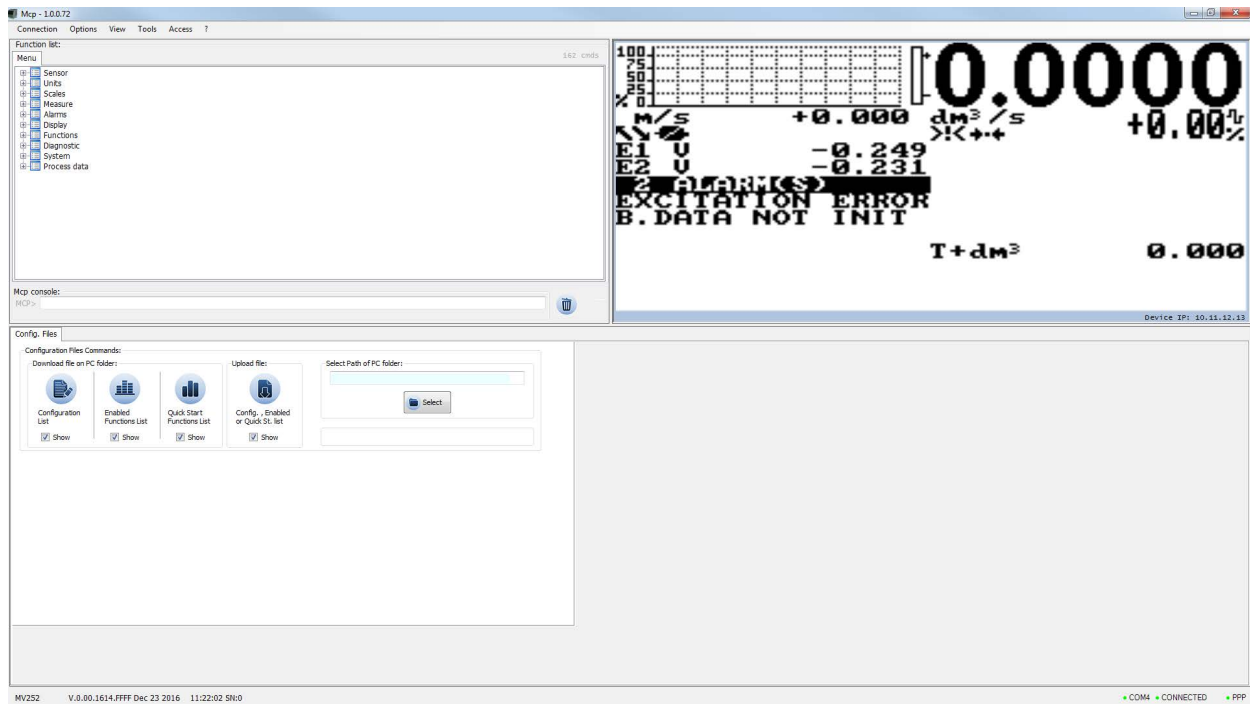
FLOW RATE MEASURE UNIT

m³
gal

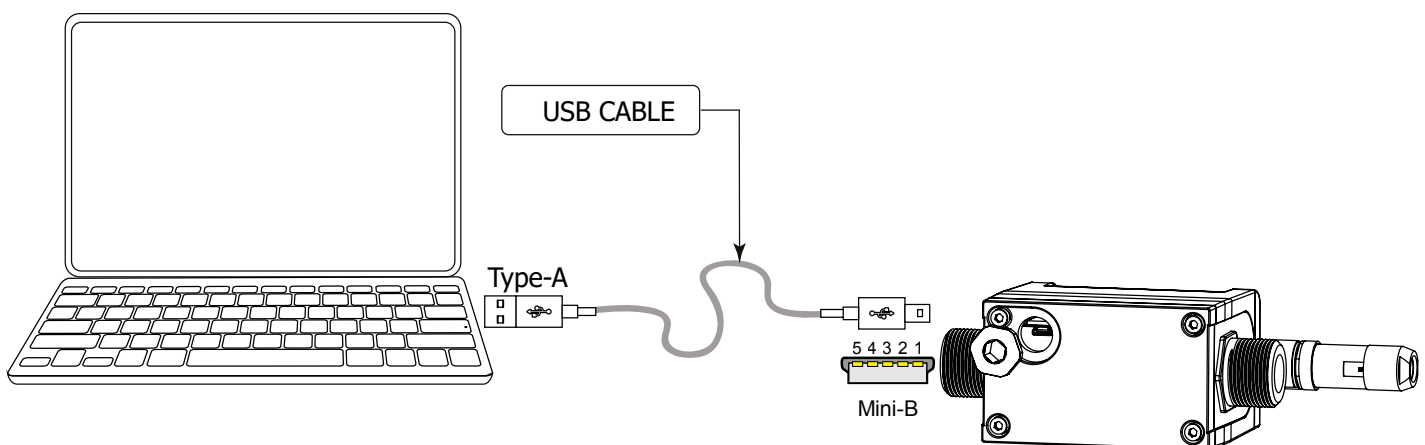
TOTALIZER MEASURE UNIT

USER INTERFACE

You can access the drive configuration menu only by MCP interface for CS8100. It is a software that can be installed on Microsoft Windows® and allows you to set all the functions of the converter and customize the menu. To use the MCP interface, see the user manual .



Make the USB connection as shown in the following figure.



CONVERTER ACCESS CODE

The access for programming the instrument is regulated by six access levels logically grouped. Every level is protected by a different code.

Access Level 1-2-3-4-5-6 Freely programmable by user

ACCESS CODE SET : MENU 13 SYSTEM

```

11-Functions
12-Diagnostic
13-System
SYSTEM
L1 code=*****
L2 code=*****
L3 code=*****
L4 code=*****
L5 code=*****
L6 code=*****
Restr.access=OFF
Device IP addr=
Client IP addr=
Network mask=
KT= 1.01218
KS= 1.00000
KR= 1.00000
DAC2 out 4mA cal
DAC1 4mA=1.02382
DAC1 20mA= 10050
FW update
    
```

```

SYSTEM
L1 code=*****
L2 code=*****
L3 code=*****
L4 code=*****
L5 code=*****
L6 code=*****
049999999
    
```

The CODE is Settable by MCP interface. Depending on the level of access different display functions will be visible. (See section "FUNCTIONS DESCRIPTION" page 19) These access levels interact with the "Restricted access"

RESTRICTED ACCESS SET : MENU 13 SYSTEM

```

SYSTEM
L1 code=*****
L2 code=*****
L3 code=*****
L4 code=*****
L5 code=*****
L6 code=*****
Restr.access=OFF
    
```

Settable Values

ON

OFF

Restrict = ON: Access permitted only to functions provided for a specific level; Example: If the operator has a code of access level 3, after having set it, he can change only the functions with level 3 access.

Restict = OFF: It enables to change functions for the selected level and ALL the functions with lower access level.

Example: If the operator has the code of level 3, after having set it, he can change all the functions at level 3 and those at lower levels.

* WARNING: take careful note of the customized code, since there is no way for the user to retrieve or reset it if lost.

Factory preset access codes:

L1: 1000000	L4: 4000000
L2: 2000000	L5: 57291624
L3: 3000000	L6: 65940123

The manufacturer guarantees only English text available on our web site www.isoil.com

MANUAL REVIEWS

REVIEW	DATE	DESCRIPTION
8100_QUICK_EN_IT_R0_1.00.0	08/01/2018	First edition

At the end of its lifetime, this product shall be disposed of in full compliance with the environmental regulations of the state in which it is located.

The manufacturer guarantees only English text available on our web site www.isoil.com



The manufacturer guarantees only English text available on our web site www.isoli.com

The manufacturer guarantees only English text available on our web site www.isoil.com

ISOIL INDUSTRIA S.p.A.

HEAD OFFICE	SERVICE
Via Fratelli Gracchi, 27 20092 Cinisello Balsamo (MI) Tel +39 02 66027.1 Fax +39 02 6123202 vendite@isoil.it	isomagservice@isoil.it

If you want to find the complete list of our distributors access at the following link:
http://www.isoil.com/u_vendita.asp



**BEFORE returning any material, please
contact our SERVICE at the e-mail address:
isomagservice@isoil.com**

Due to the constant technical development and improvement of its products, the manufacturer reserves the right to make changes and/or modify the information contained in this document without notice.